

Gamma Floodlight

LED IP66/67

The Gamma is a high output LED floodlight is designed for use in Zone 1 & 21 hazardous areas. The compact design and flexible mounting allows the Gamma to also be used as a lowbay.

Key Features:

- High performance LED module providing uniform and crisp white light.
- Stainless steel construction to ensure extended life in harsh conditions
- 5-year complete system warranty



Luminaire Ratings

Product Reference	Colour Temperature (K)	Lumen Output (lm)	Power (W)	Temp Class and Surface Temp				Weight (kg)
				Tamb 55 °C		Tamb 40 °C		
LX1GAM4LB57	5,700	10,870	72	T3	T100°C	T4	T85°C	13

Note – A transportable mains voltage version is also available, please refer to alternate datasheet for Gamma LGT

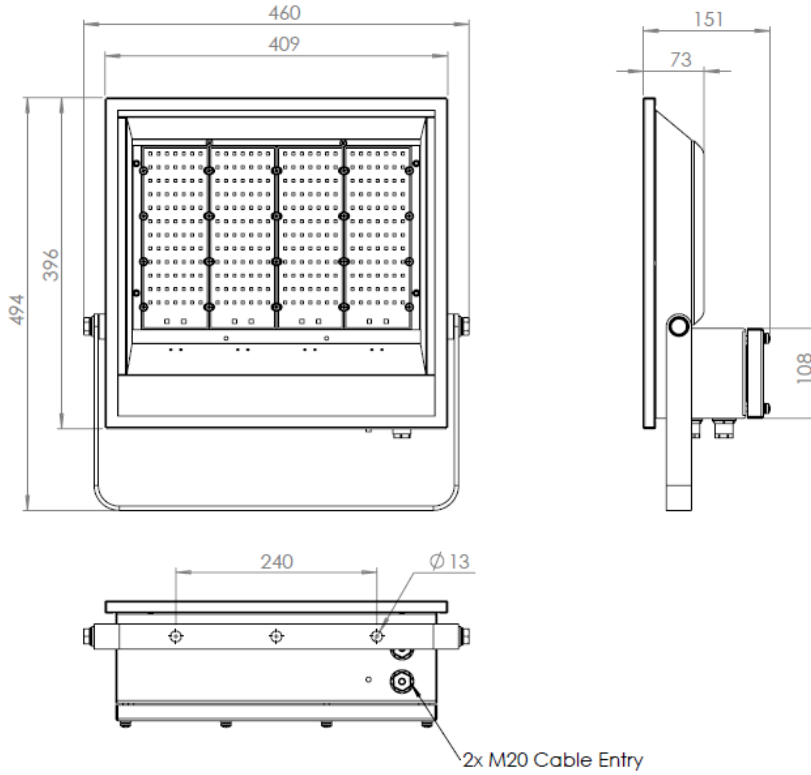
Standard Specifications

Luminaire Type	Zone 1 & 21 LED Floodlight/Lowbay
Ingress Protection	IP66/67 to EN60529
Ambient Temperature	-30°C to +55°C
Material	Stainless steel 316 grade housing, toughened glass window, silicone gaskets and stainless steel fixings
Lamp Types	Light emitting diode, pure white (5700K)
Colour Rendering Index	> 80
LED Life	50,000 hours L ₇₀ @ 50°C
Cable Entry	2 x M20 clearance holes. Supplied with 1 x Ex plug and 1 x transit plug
Terminals	Looping terminal block for up to 4mm ² conductors
Control Gear	Electronic driver: EN60601-1 (CE), EN61204-3 (EMC), EN61000-4-5 (surge protection class 3).
Orientation	0° to 120°
Mounting	Via saddle bracket
Supply	110 to 254V 50/60Hz ac
Certification	
Area Classification	Zone 1 & 21, Gas and Dust
Type of Protection	Ex e (Increased Safety), Ex is (Intrinsically Safe), Ex op (Optical Radiation), Ex q (Quartz Filled) & Ex tb (Dust)
Apparatus Coding*	Ex eb ib op is qb IIB T* Gb, Ex tb IIIC T*°C Db
Certificate Number	CML 16ATEX093 / IECEx CML 16.0041

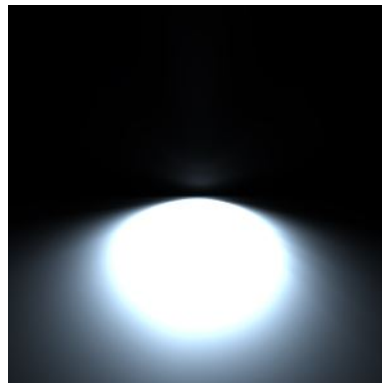
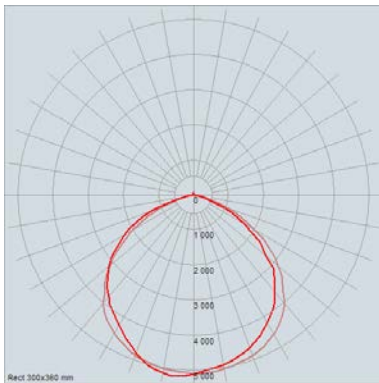
* Refer to luminaire rating table for T & ambient

Product design and specifications are subject to change without notice; please check the website for latest specifications

Luminaire Dimensions



Photometrics



Options

OPT	Diffused optic to reduce glare
M25	M25 cable entries (other thread types available on request)

Add the required suffix to the product reference.

Example: **LX1GAM4LB57M25** = Zone 1, LED floodlight with M25 entries

Accessories

LX4GAM-PM1	Pole mounting bracket – 316 SS (to suit $\varnothing 35$ to $\varnothing 50$ mm spigot)
LX4GAM-WG	Wire guard – 316 SS