

# Exodus Bulkhead

 IP66/67

The Exodus is an LED bulkhead is designed for use in heavy industrial and marine environments. It contains internal batteries for emergency operation

## Key Features:

- Compact design is ideal for building perimeter, walkway or stairwell lighting.
- Maintained or Non-Maintained operation
- Manufactured LM24 Aluminium Alloy, powder coated for corrosion resistance.
- Can accommodate any fire exit sign to ISO 7010 (300mm x 150MM).
- 5 Year complete system warranty.



Image shown features running man with arrow suffix

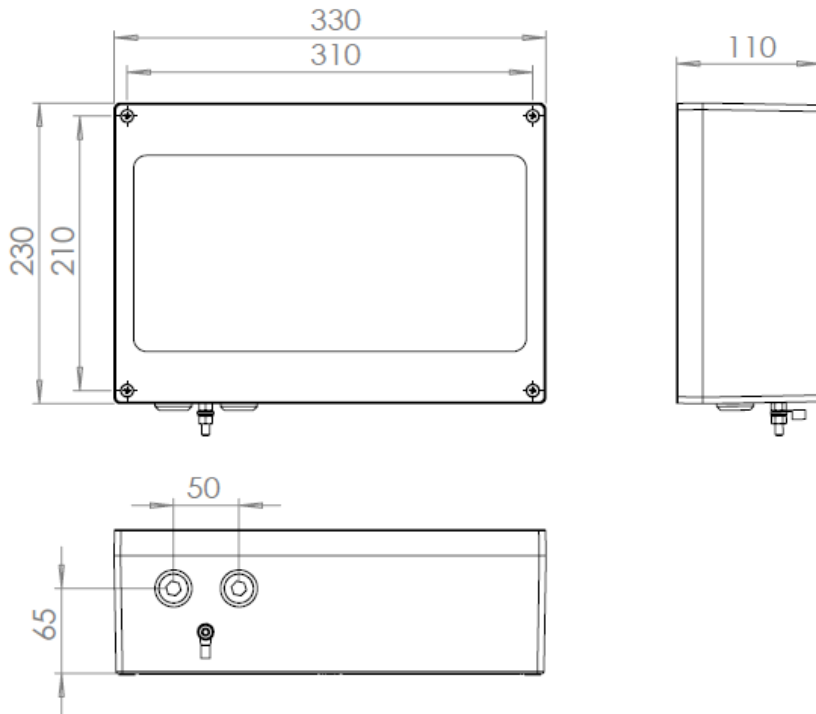


## Luminaire Ratings

| Product Reference | Colour Temperature (K) | Light output (lumens) | Power (W) | Ambient Temperature* | Weight (kg) |
|-------------------|------------------------|-----------------------|-----------|----------------------|-------------|
| LX1EXO2LB57       | 5,700                  | 2,200                 | 20W       | -20°C to 55°C        | 8           |

## Standard Specifications

|                        |   |
|------------------------|---|
| Luminaire Type         | LED bulkhead luminaire  |
| Ingress Protection     | IP66/67 to EN60529  |
| Material               | Marine grade Aluminium, powder coated housing, toughened glass window, Silicone gaskets and Stainless Steel grade 316 fasteners |
| Lamp Types             | Light Emitting Diode, Pure White (5700K)  |
| Colour Rendering Index | > 80  |
| LED life               | 50,000 hours L <sub>70</sub> @ 40°C   |
| Cable Entry            | 2 x M20 threaded holes. Supplied with 2 x transit plug  |
| Terminals              | Looping terminal block for up to 4mm <sup>2</sup> conductors  |
| Control Gear           | HF electronic driver with harmonic protection (BS EN61000-3-2, Class A) and Surge (BS EN 61000-4-5, level 3)                    |
| Orientation            | Universal   |
| Mounting               | Via mounting holes in body  |
| Supply                 | 90 to 250V 50/60Hz ac dc  |
| Battery                | 6V 4.5Ah Ni-Cd  |
| Emergency Operation    | Maintained mode as standard   |
| Emergency Duration     | 180 minutes (3 hours) at 25% output   |
| <b>Certification</b>   |   |
| Area Classification    | Zone 1 & 21, Gas & Dust   |
| Apparatus Coding       | Ex II 2 GD Ex eb ib op is q IIB T4 Gb, Ex tb op is IIIC T135°C Db   |
| Certificate Number     | ATEX: CML 16ATEX3345<br>IECEX: CML 16.0120  |



Options

|        |   |
|--------|---|
| M25    | M25 cable entries (other thread types available on request)           |
| NM     | Non-maintained emergency mode   |
| 90     | 90-minute emergency duration (90 minutes at 50% output)               |
| RMS    | Running man, with down arrow  |
| RMRA   | Running man right, with arrow   |
| RMLA   | Running man Left, with arrow  |
| RMR    | Running man right   |
| RML    | Running man Left  |
| MPL    | Marine protection finish (for use in highly saline coastal locations) |
| RALxxx | Specific paint colour (RAL number to be specified)                    |

Add the required suffix to the product reference.

Example: **LX1EXO2LB57M25RMR** = Exodus emergency bulkhead with M25 entries and running man right exit sign

Accessories

|            |  |
|------------|--|
| LX4EXO-SRP | Stirrup mounting bracket (Stainless Steel) |
|------------|--|